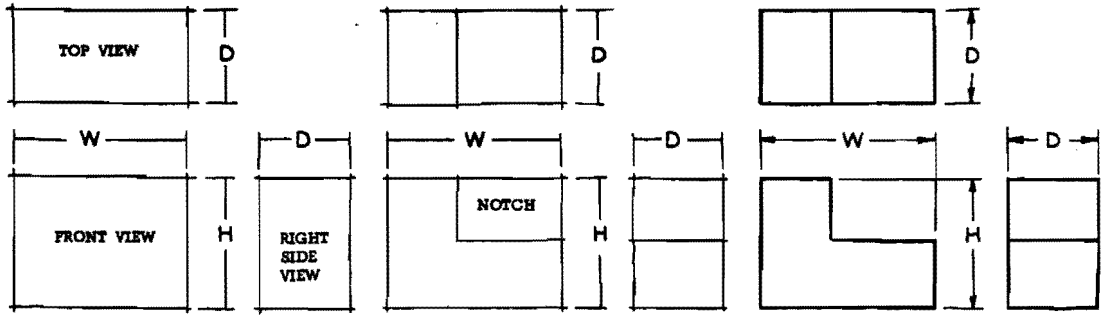
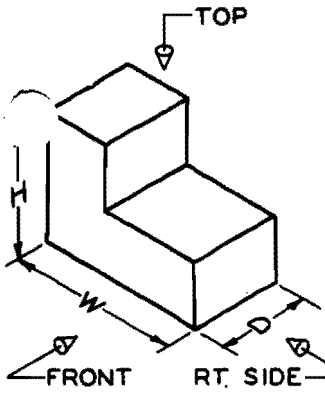


ORTHOGRAPHIC SKETCHING

ORTHOGRAPHIC PROJECTION IS A SYSTEM OF DRAWING TWO DIMENSIONAL VIEWS OF THREE DIMENSIONAL OBJECTS.



SOLUTION:

PROBLEM: SKETCH THREE VIEWS OF THE PART ABOVE.

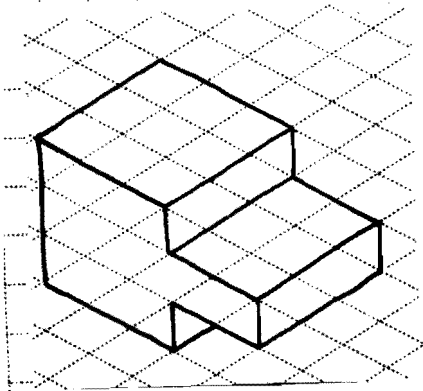
STEP 1: BLOCK IN THE FRONT, TOP AND SIDE VIEWS IN THE POSITION SHOWN. ALLOW ROOM BETWEEN VIEWS FOR DIMENSION LINES.

STEP 2: REMOVE THE NOTCH FROM THE FRONT VIEW. NOTE THAT THE NOTCH WILL BE SHOWN BY SINGLE LINES IN THE TOP AND SIDE VIEWS.

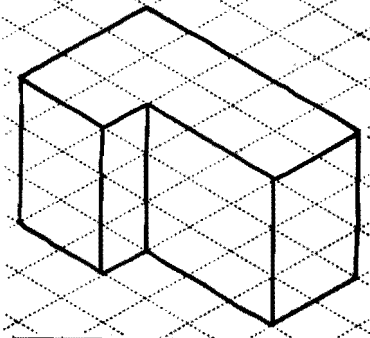
STEP 3: STRENGTHEN LINES. DIFFERENCE IN LINE WEIGHT IS ACHIEVED BY VARYING THE SHARPNESS OF THE PENCIL POINT.

DIRECTIONS: SKETCH THE THREE ORTHOGRAPHIC VIEWS OF THE PARTS BELOW.

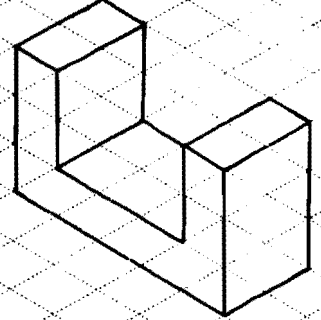
#1



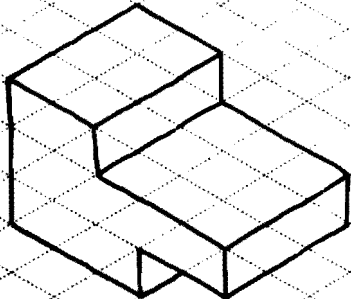
#2



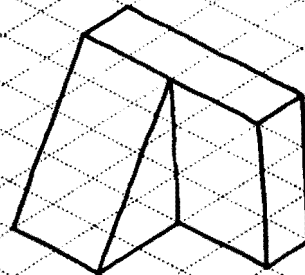
#3



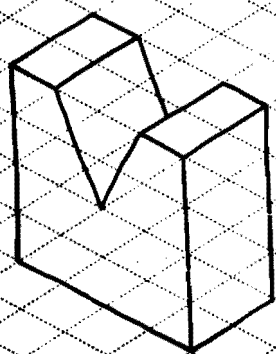
#4



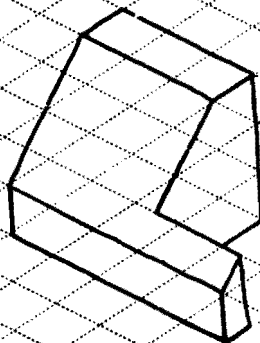
#5



#6



#7



#8

